

BULK STORAGE LOCKER ASSEMBLY INSTRUCTIONS

General Instructions

1. Check material received against the packing list. Check the number of packages received and then check the contents of each package.
2. Check the material received for damage. If damage has occurred, secure a “damage notation” from the carrier
3. Identify each part as it is unpacked and put like parts together as close as possible to the working area where they are to be assembled.
4. Be careful to use the correct hardware as specified in the assembly instructions.

CAUTION

In the interest of safety, all lockers must be securely anchored to the floor and/or wall. For safety, handle all components carefully and wear work gloves when assembling lockers. Install all units plumb and tighten all hardware securely. Retain instructions for future reference.



800-776-1342

info@ListIndustries.com

www.ListIndustries.com

INSTALLATION INSTRUCTIONS

When assembling the lockers, leave the bolts finger tight until the run is complete. The last step for any type of locker is to make sure that the door and frame assemblies (fronts) are plumb. Then and only should they be anchored to the floor.

SINGLE TIER AGAINST WALL (Page 4)

1. Attach first divider to wall at back, making sure that the divider is lever front-to-back by either cutting the rear leg or raising it as necessary.
2. Loosely bolt first front to divider.
3. Attach second divider to first front and then anchor to wall, leveling it as in step 1.
4. Loosely bolt second front to first front.
5. Attach third divider to second front and then anchor to wall, leveling it as in step 1.
6. Continue steps 4 and 5 to end run.

SINGLE TIER BACK-TO-BACK (Page 5)

Use the same procedures but please note that the backs go between the dividers.

DOUBLE TIER LOCKERS

Dividers provided for double tier lockers either have a shelf support channel on one side (for row ends) or shel support channels on both sides (for dividers placed in between lockers).

GENERAL NOTES FOR THE INSTALLER

- Field bracing for free standing rows are to be provided by the installer.
- All dividers in any given row must face in the same direction.
- All floor and wall anchors are to be provided by the installer.
- Be sure installation is plumb and square.
- Numbering is to be done after installation is complete by attaching a pressure sensitive label to each opening.

IMPORTANT:

DOUBLE TIER INSTALLATIONS ARE BASICALLY THE SAME AS SINGLE TIER, EXCEPT THAT THE SHELVES MUST BE INSERTED INTO THE SHELF SUPPORT CHANNELS BEFORE THE FRONT IS ATTACHED. PRIOR TO ANCHORING DIVIDERS TO WALL, USE A SHELF TO CHECK THE SPACING. THE SHELF WILL HAVE A SMALL AMOUNT OF PLAY SIDE-TO-SIDE.

NOTE:

After all lockers are in place, make sure that the fronts are plumb and the hasps properly align. If necessary, shim one side of front as needed to plumb. Then anchor the fronts to the floor through the bottom angle.

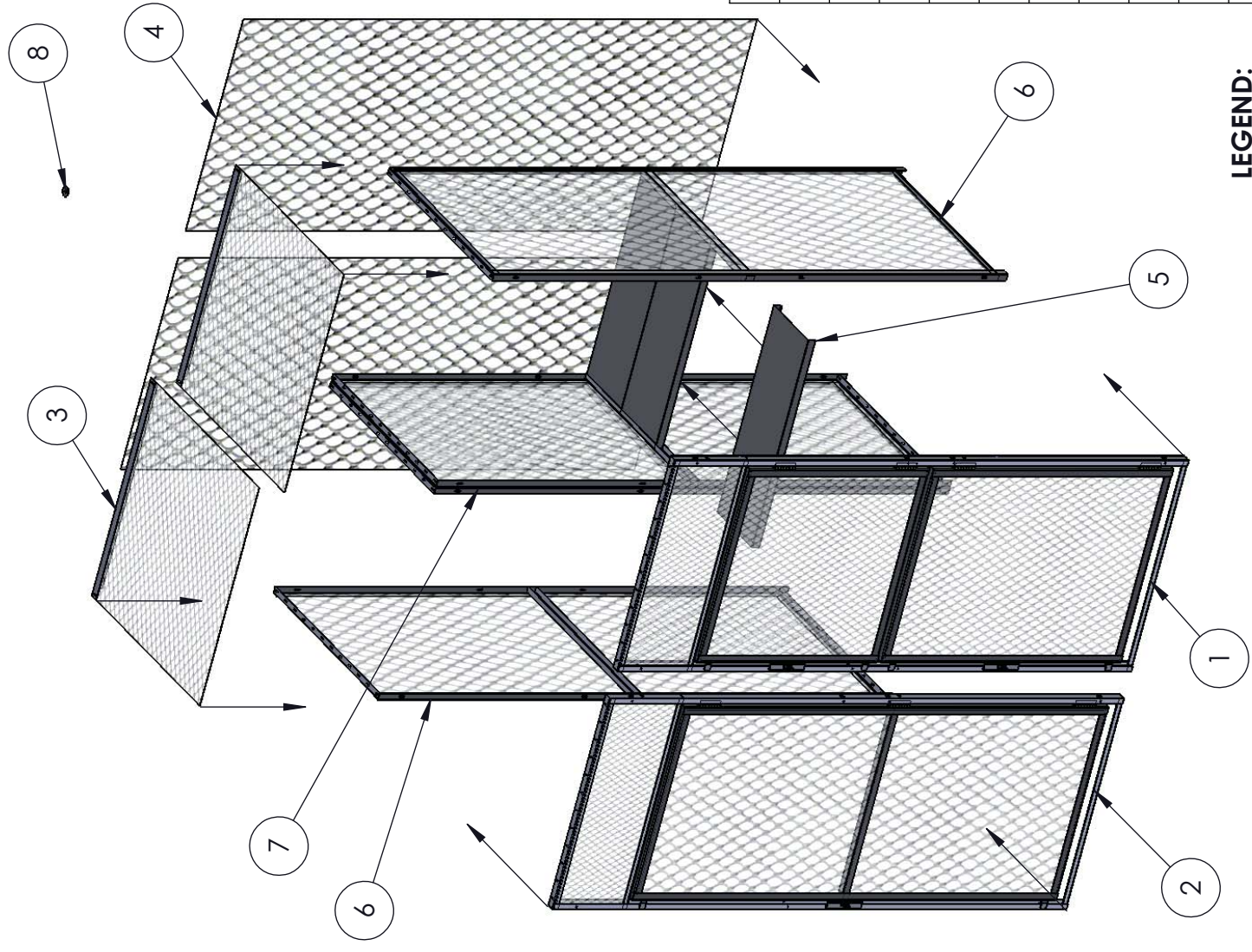
General Assembly with Part Numbers

The drawing to the left shows a double tier and a single tier locker, both with optional tops and backs.

The right side double tier locker shows how the shelves slide into place prior to the front being assembled to the locker.

The divider panel between has a shelf support channel on the double tier side only. This type of divider is also typically used at single tier and at the exposed ends of double tier runs.

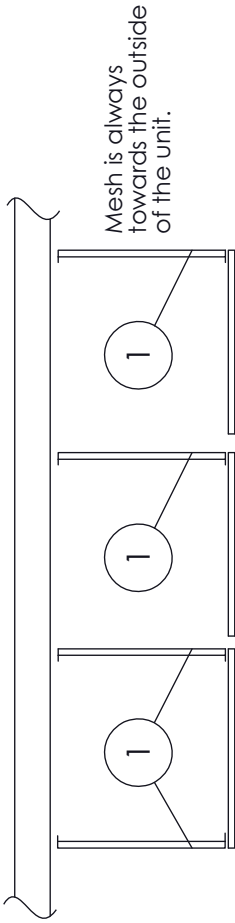
Please note that although only one washer for the top is shown, there two such washers for each divider and fronts.



LEGEND:
 hh: Height
 dd: Depth

ITEM NO.	PART NO.	DESCRIPTION	QTY.
1	440ddhh	SINGLE TIER DOOR & FRAME ASSY	--
2	450ddhh	DOUBLE TIER DOOR & FRAME ASSY	--
3	480ddhh	TOP	--
4	497ddhh	BACK	--
5	230dd	SHELVE OR BOTTOM	--
6	410ddhhE	1/T STARTER/ADDER 2/T STARTER	--
7	410ddhh	2 TIER ADD-ON DIVIDER	--
8	W110	WASHER	--
9	MS-102	1/4"-20 X 3/4" RD HD MACH SCREW	--
10	W-109	1/4" EXT TOOTH LOCKWASHER	--
11	N-107	1/4"-20 HEX NUT	--

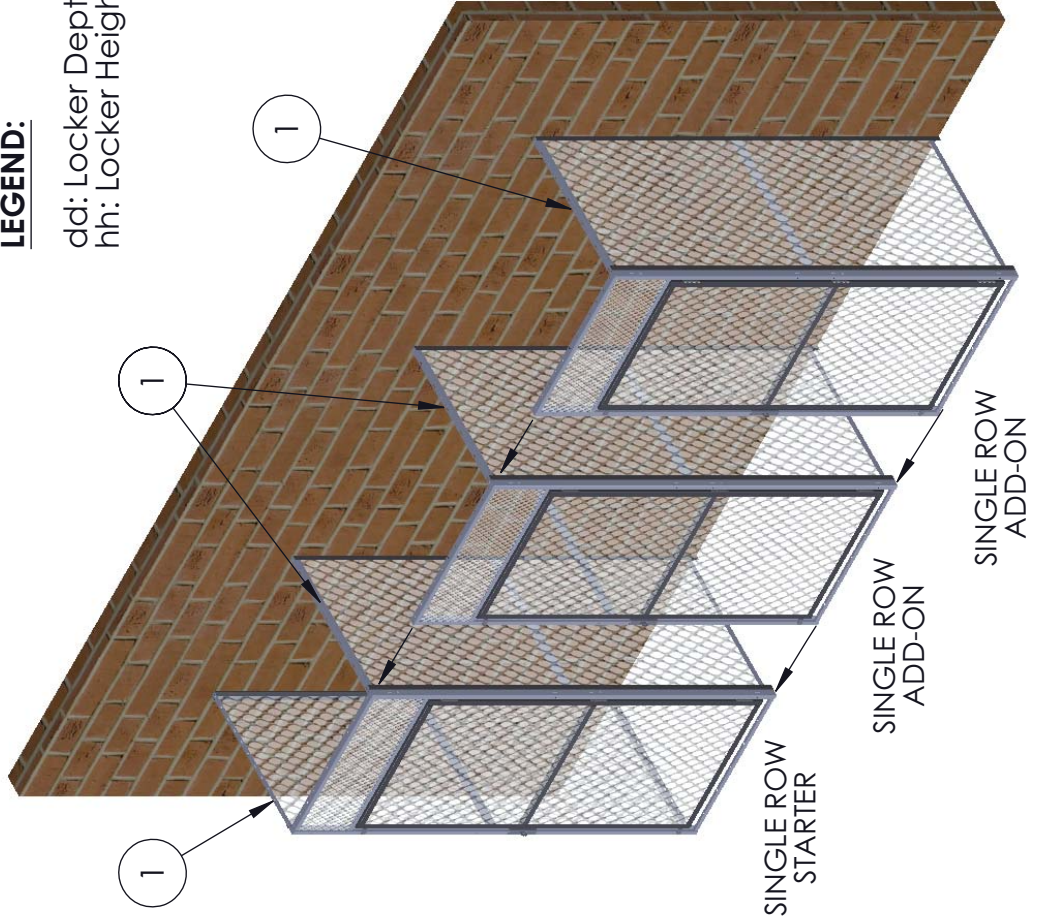
SINGLE TIER FREESTANDING AGAINST WALL



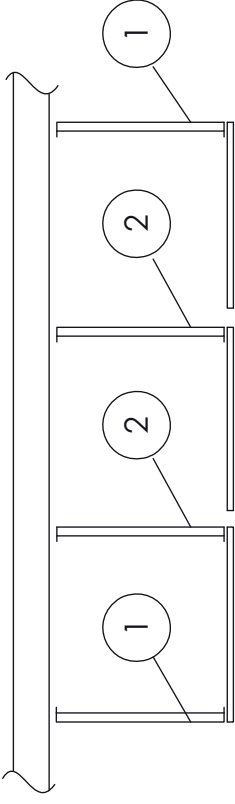
① 410ddhhE

LEGEND:

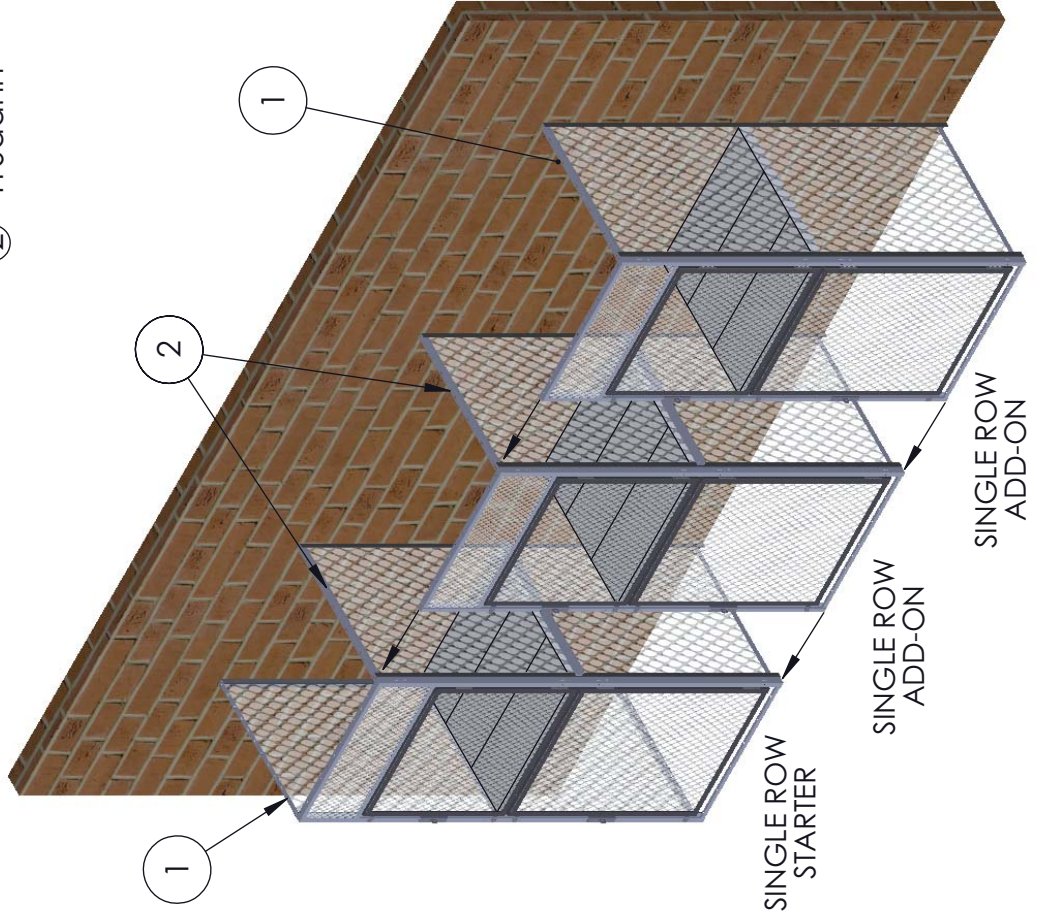
dd: Locker Depth
hh: Locker Height



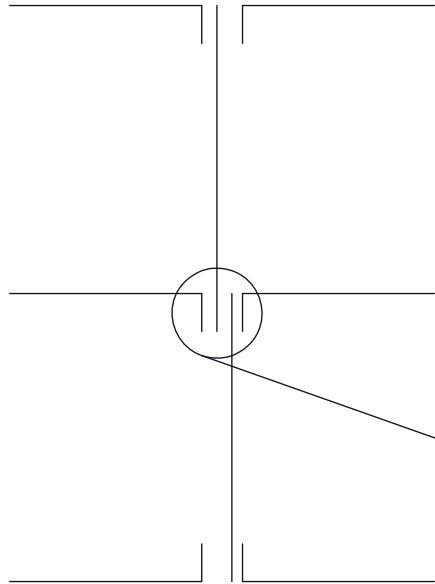
DOUBLE TIER (W/SHELF) FREESTANDING AGAINST WALL



① 450ddhhE
② 410ddhh

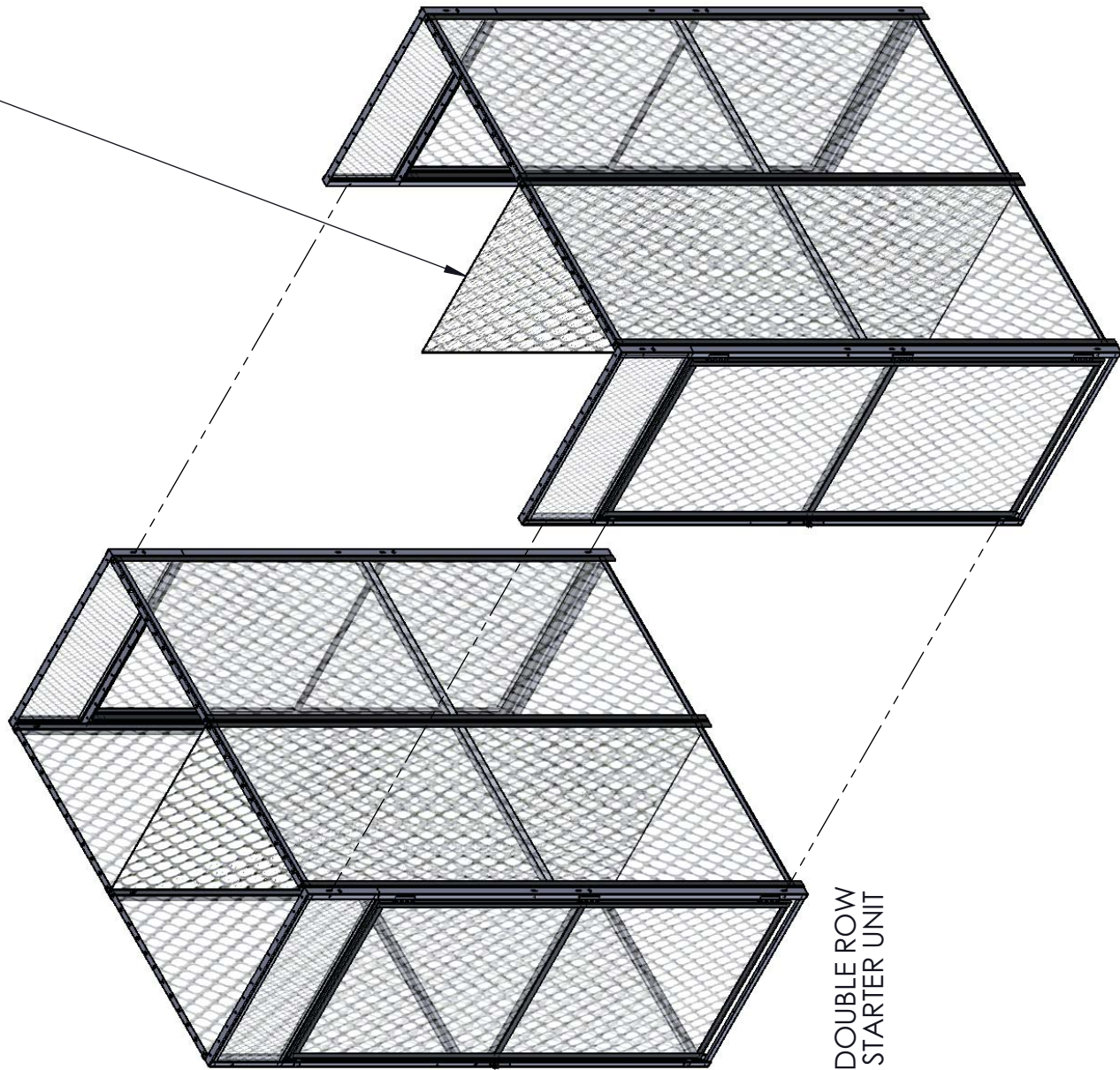


SINGLE TIER BACK-TO-BACK SETUP



OVERLAPED BACKS

BACK IS PLACED BETWEEN DIVIDERS



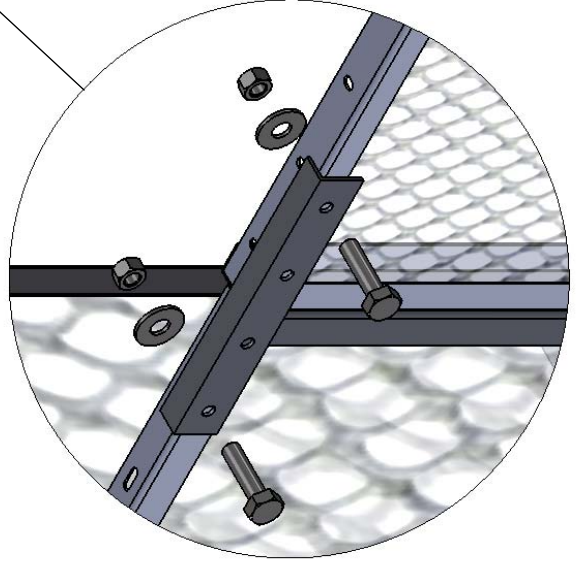
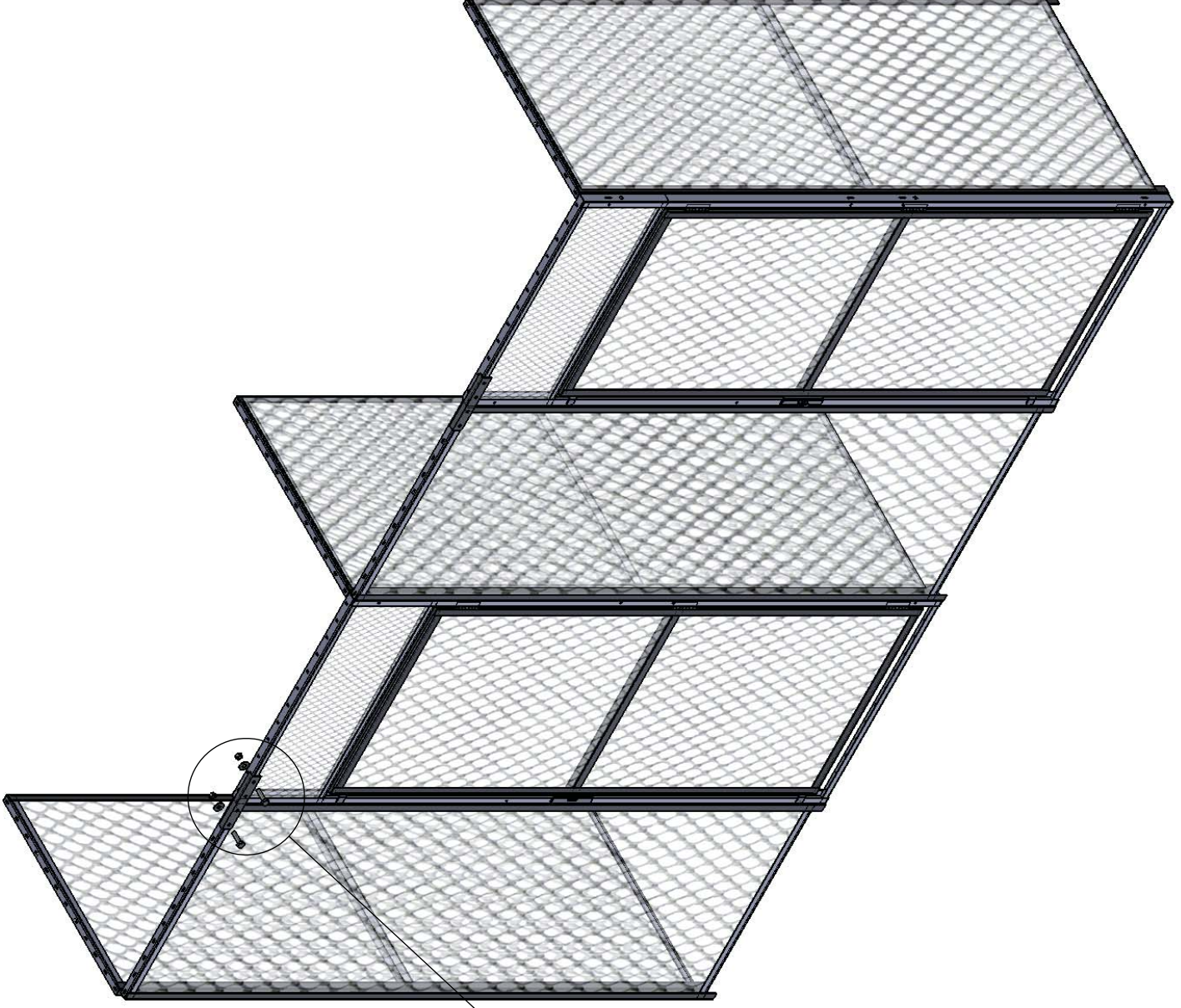
DOUBLE ROW
STARTER UNIT

DOUBLE ROW
ADD-ON UNIT

USE OF EXTENSION PANELS

Extension panels are used to expand the width of a single tier locker.

Please note that a repair angle is needed to provide strength at the top, where the extension panel joins the front.



REPAIR ANGLE

SUGGESTED METHOD FOR CUTTING TOP OF DIVIDER TRANSOM TO CLEAR A PIPE



For pipe clearance:

1. Cut through divider angle with hack saw.
2. Using heavy-duty wire cutters, cut an opening in the expanded metal to size required.
3. Twist the frame and place around the pipe.
4. Align divider or transom at the top and bolt repair angle in place, to provide for a solid installation. The repair angle holes are 6" on center to accommodate the holes on top of the dividers and door fronts. Attach angle with at least two bolts on each side of the cutout.